

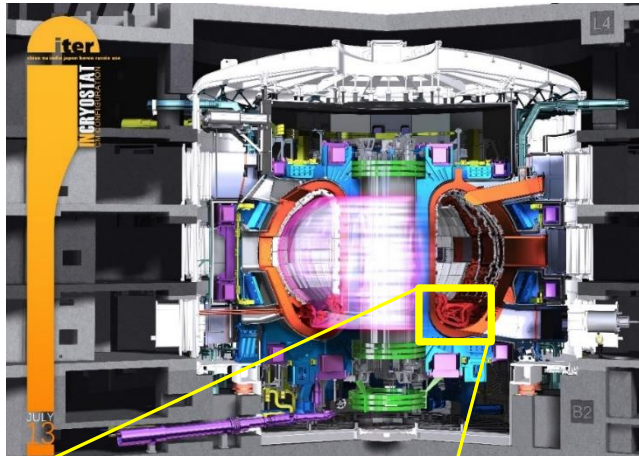


research  
instruments

# Divertor Inner vertical target (IVT) series contract

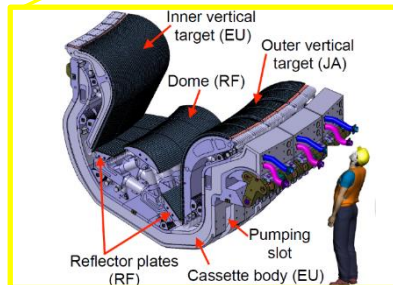
# Divertor Inner vertical target (IVT)

## F4E has contracted to RI the IVT series production

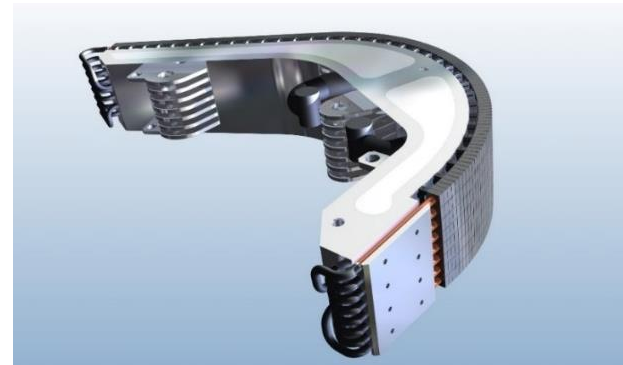


- The divertor is a heavily heat loaded water-cooled component ( $20 \text{ MW/m}^2$ ) with surface temperatures of 2000 C
- The IVT series production has 3 phases:
  - Implementation of series production line at RI (until Q3/2024)
  - Production of 13 IVT: until 2027
  - Reopening of competition for production of remaining IVT in 2026

Divertor:

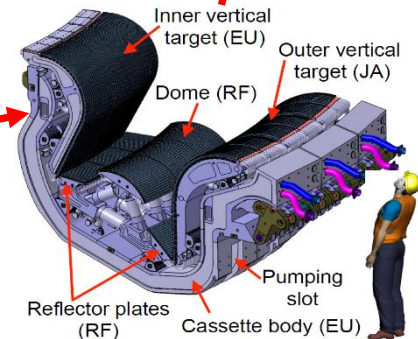
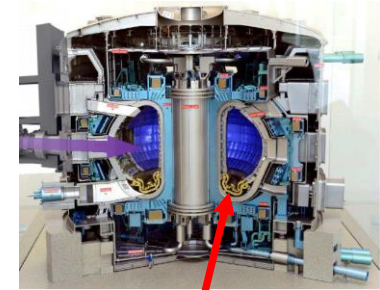
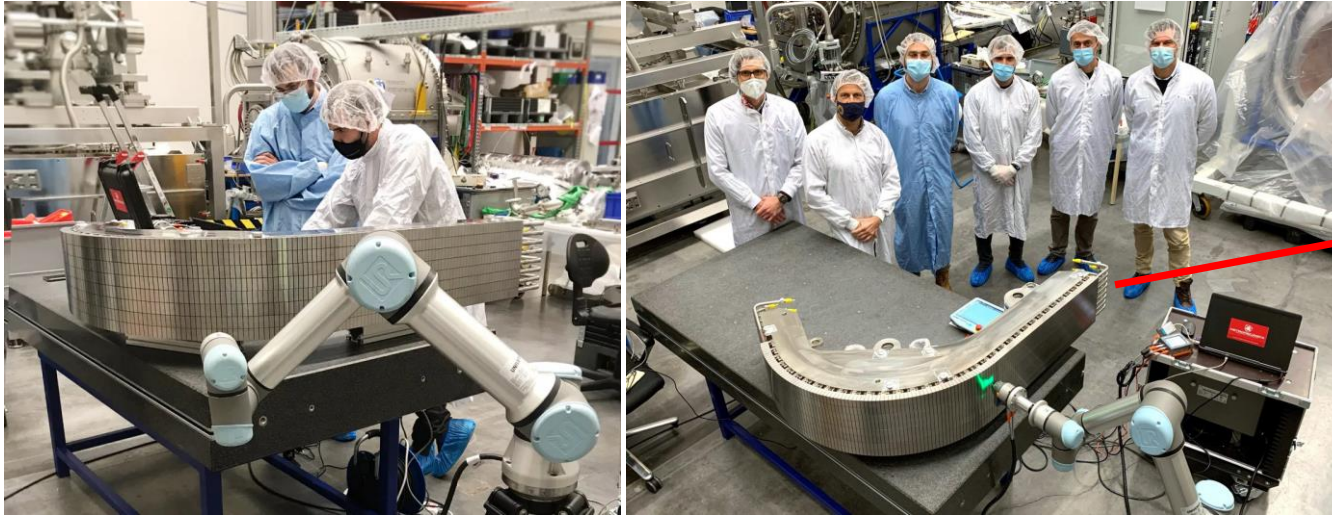


IVT Prototype:  
(half IVT)



# Key issues for being successful

- Trustful collaboration with F4E and ITER
- Development of technology in a stepwise approach
  - Mock-ups of Plasma facing units (2016)
  - IVT prototype (2017-2021)
- Tender phase of series production in a negotiated procedure (2022)



RI and F4E experts at factory acceptance testing of prototype IVT at RI